

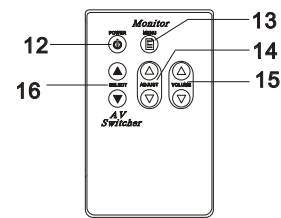
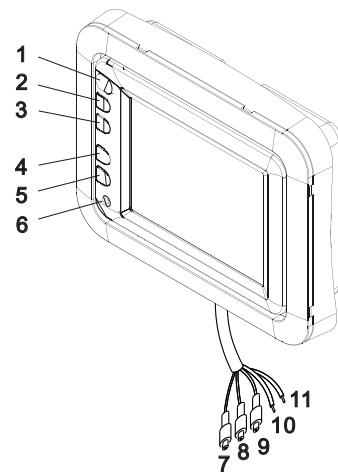
CHM-5003A

Color TFT LCD Monitor



INSTRUCTION MANUAL

APPEARANCE



1. IR SENSOR
2. "UP" BUTTON
3. "DOWN" BUTTON
4. "MENU" BUTTON
5. POWER SWITCH
6. EARPHONE
7. YELLOW RCA JACK
Video Input
8. RED RCA JACK
Right Audio Input
9. WHITE RCA JACK
Left Audio Input
10. RED WIRE
DC Input (10 V ~ 30 V)
11. BLACK WIRE
Connect to ground

12. POWER SWITCH
13. MENU
14. UP/DOWN BUTTON
15. VOLUME
16. NO FUNCTION

— 1 —

OPERATION

VOLUME ADJUSTMENT

- Press Δ or ∇ on the monitor directly or VOLUME buttons \blacktriangle / \blacktriangledown on the remote controller to adjust volume.



PICTURE ADJUSTMENT

- BRIGHT / COLOR / CONTRAST / TINT

To press MENU on the monitor or MENU key MENU on the remote controller, the screen will appear a menu. Press Δ / ∇ on the monitor or ADJUST \blacktriangle / \blacktriangledown on the remote controller to select BRIGHT/ COLOR / CONTRAST / TINT and then press ENTER or MENU into the function. The screen will appear a control bar. Press Δ / ∇ on the monitor or ADJUST \blacktriangle / \blacktriangledown on the remote controller again to adjust the picture quality.



— 2 —

FUNCTIONS

POWER SAVING FUNCTION

PWR SAVING
OFF / ON

Press UP/DOWN to adjust Power Saving function

DIMMER FUNCTION

DIMMER ← **DIMMER**
100% ← **50%**

Press UP/DOWN to adjust Dimmer function

PICTURE REVERSE FUNCTION

H \blacktriangle **REV** \blacktriangledown **V** ← **H** \blacktriangle **REV** \blacktriangledown **V**
OFF **OFF** ← **ON** **ON**

Press UP button for to switch Horizontal reverse ,
Press Down button for to switch Vertical reverse .

— 3 —

SPECIFICATIONS

DISPLAY	5" COLOR TFT LCD
RESOLUTION	960(W) x 234(H)
ACTIVE AREA	101.8(W) x 74.4(H)
BACK LIGHT	CCFT
INPUT SIGNAL	NTSC & PAL (auto-switch) composite video signal 1 Vp-p / 75 ohm
LAMP LIFE	10,000 hr.

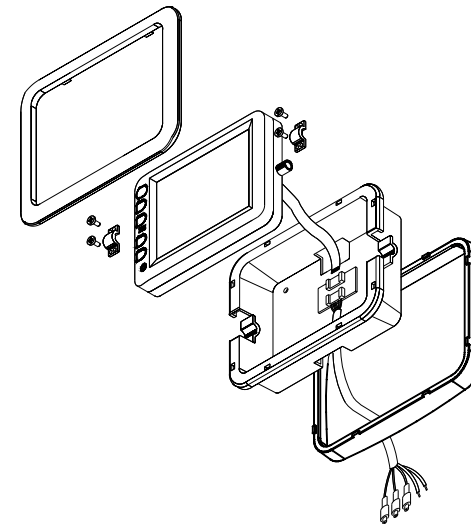
SPECIFICATION OF AUDIO	
INPUT IMPEDANCE	10 K
OUTPUT OF AUDIO	0.3W max.
EARPHONE	16 / 32
BAND WIDTH	15 KHz
INPUT LEVEL	1 Vp-p

POWER SOURCE	DC 12V ~ 24V (ripple 0.5 Vp-p max.)
RANGE OF OPERATING VOLTAGE	DC 10V ~ 30V
POWER CONSUMPTION	8W max.
BRIGHTNESS	250 nit TYP.
VIEWING ANGLE	TOP 15 deg. BOTTOM 45 deg. LEFT/RIGHT 45 deg.

OPERATING TEMPERATURE	0°C ~ 60°C
STORAGE TEMPERATURE	-20°C ~ 60°C
OPERATING HUMIDITY	85% RH max.
STORAGE HUMIDITY	85% RH max.
OVERALL DIMENSIONS	177(W) x 138(H) x 46(D)
WEIGHT	430 g

— 4 —

INSTALLATIONS



CAUTION

1. Don't expose to direct sunlight. (refer to specification)
2. Don't expose temperature extremes. (refer to specification)
3. Avoid dropping and strong impact.
4. Avoid wet and dust.
5. Never attempt to take apart and maintain by yourself.

— 5 —